

INSTALLATION

BEFORE INSTALLING THE REFRIGERATOR

WATER CONNECTION

ELECTRICAL CONNECTION

LEVELLING YOUR REFRIGERATOR

REMOVING THE FREEZER DOOR (A)

REMOVING THE REFRIGERATOR DOOR (B)

MOUNTING THE FREEZER DOOR (C)

MOUNTING THE REFRIGERATOR DOOR (D)

**HORIZONTAL ALIGNMENT OF FREEZER
AND REFRIGERATOR DOORS (E)**

**VERTICAL ALIGNMENT OF FREEZER AND
REFRIGERATOR DOORS (F)**

BEFORE INSTALLING THE REFRIGERATOR

Your new appliance is a FULL NO FROST model exclusively for domestic use, i.e. both refrigerator and freezer compartments are provided with an automatic defrosting function.

This manual contains indications and warnings for correct and safe installation of the appliance - read it carefully before starting installation operations.

The model you have purchased may differ slightly with respect to some descriptions in this manual, since this manual covers several models.

Keep this manual for future consultation. If you sell the appliance give it to the new buyer.

Install the appliance in a dry and well-ventilated place. Avoid locations in direct sunlight or near a source of heat (oven, heating, etc.). If this cannot be avoided, install the appliance respecting the following minimum distances:

Coal or paraffin stoves: 30 cm

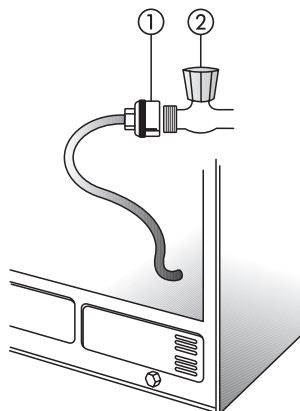
Electric and/or gas stoves: 3 cm

To allow product handling and sufficient air circulation, leave at least 1 cm clearance at the sides, above the appliance, and between the rear panel and the wall.

WATER CONNECTION

Disconnect the appliance from the mains power supply before starting operations.

- The ice maker and water circuit must be connected to a water supply of potable and/or chemically purified water.
- The water connection must be carried out in compliance with local regulations.
- The appliance is supplied with a water tube, 2.330 m long, already attached to the back of the product.
- Remove the shipping tape from the gray coiled water tubing on the rear of the appliance.
- Connect the transition connector (1) to the household water supply (2).
- Make sure that the water tube is not twisted.
- The appliance is pre-set for operation at pressures between 1.7 and 8.1 bar (25 and 117 PSI).
- Open the water tap. Check for and eliminate any leaks.
- The appliance does not require any adjustment or water drain.



ELECTRICAL CONNECTION

Regulations require that the appliance is earthed. The manufacturer declines all liability for injury to persons or animals and for damage to property resulting from failure to observe the prescriptions.

Make sure that the installation and the electrical connection are carried out by a qualified technician according to the manufacturer's instructions and local safety regulations.

If your new appliance is provided with a plug with no earth wire, connect your green/yellow earth wire (A) to the earth screw located on the appliance (B) (see figure).

Ensure that the voltage indicated on the appliance data plate corresponds to the mains voltage.

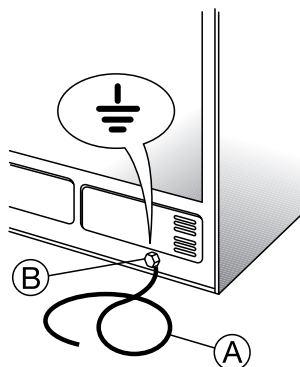
The plug of the appliance must be easily accessible even after installation so that the appliance can be unplugged if necessary. If this is not possible, connect the appliance to the mains supply by means of a two-pole switch with minimum break distance between contacts of 3 mm, fitted at an easily accessible point.

If the power supply cable plug and socket are not of the same type, replace the socket.

Do not use extension leads or adapters.

After installation, make sure that the appliance is not standing on the power supply cable.

Disconnect the appliance from the power supply by unplugging it. Do not pull the power supply cable.



LEVELLING YOUR REFRIGERATOR

The refrigerator has two front and two rear wheels at the base of the product on each side that can be adjusted (see figure A), or four wheels of which only the two front wheels can be adjusted (see figure B).

If the appliance seems unsteady or you want the doors to close easier, adjust the appliance's tilt following the instructions below (depending on the model, as shown in the figures on the right).

1. Check the installation location to be sure you have at least 1 cm clearance on all sides including the top.
2. Connect the appliance to the mains power supply.
3. Move the refrigerator into its final position.
4. Open both doors and remove the plinth to locate the levelling bolts at the left and right of the refrigerator base. The top bolt (1) will adjust the rear wheel (if provided), and the bottom bolt (2) will adjust the front wheel.
5. Use the wrench provided to adjust the levelling bolts. Turn the levelling bolt clockwise to raise the appliance, or anti-clockwise to lower it.
It may take several turns of the levelling bolts to adjust the tilt of the refrigerator.

Note: do not unscrew the levelling bolts too much when lowering the appliance as they could fall out.

Aligning the doors

If, after switching on the appliance and adjusting the refrigerator and freezer doors, the doors are misaligned, disconnect the appliance from the power supply and adjust both doors as indicated in the enclosed diagram.

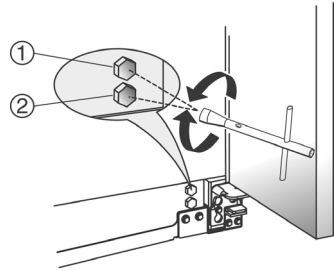


Figure A

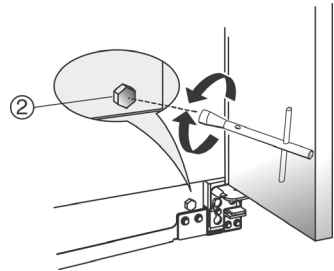


Figure B

